

USB 2.0 TO RS485 HD CONVERTER

USER GUIDE

MSSSED USB-Rs485 optoisolated

NEW



USB 2.0 TO RS485 CONVERTER

Product Features

- USB Specification Rev. 2.0 compliant
- Support Half duplex connection
- Possibility Rj45 connection
- AutoDirection Enable Driver Automatically on Trasmission
- Allowing Up to 128 Transceivers on the Bus
- Transmission Speeds Up to 500 Kbps
- Conditions of operation 0- 70 °C UR 25-85 %
- Power +5V (USB line)

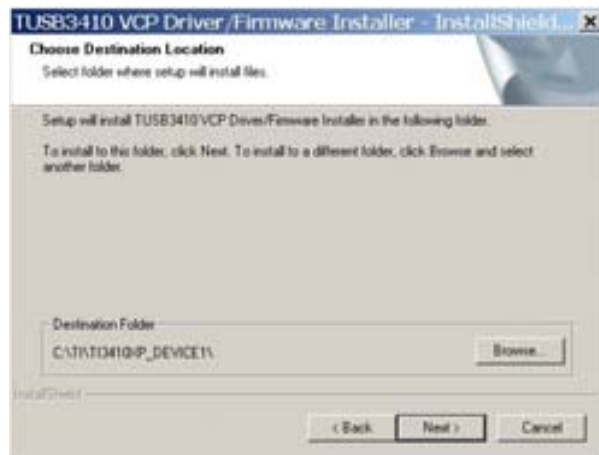
System Requirements

- IBM PC 486DX4-100 Mhz CPU or higher or compatible system
- Available USB port
- CD-ROM drive
- Windows 2000,XP,Vista

Driver Installation XP

1. During installation, please don't link USB-rs485 with your computer
2. Double click 'setup.exe' then it will start install





3. Click Next



4. Click Continue Anyway



5. Click Finish

6. Restart your computer

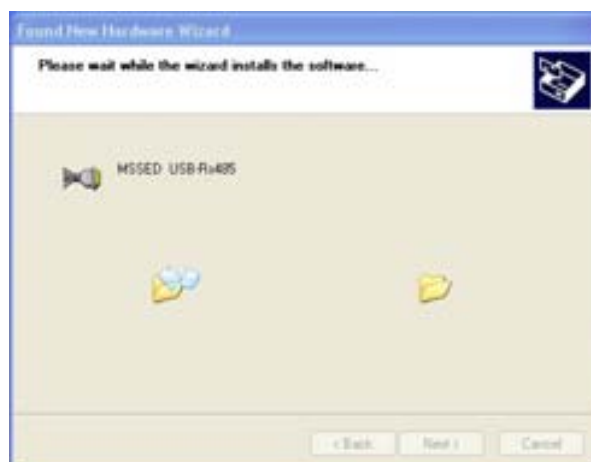
7. Devices USB-rs485 connection



1. Click Next



2. Click Next



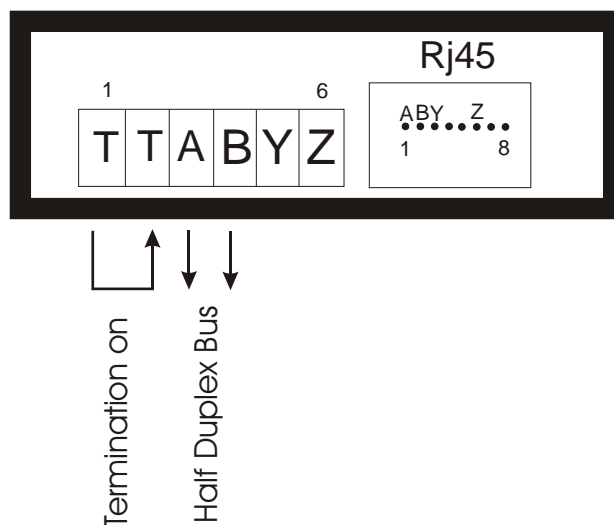


3. Click Continue Anyway

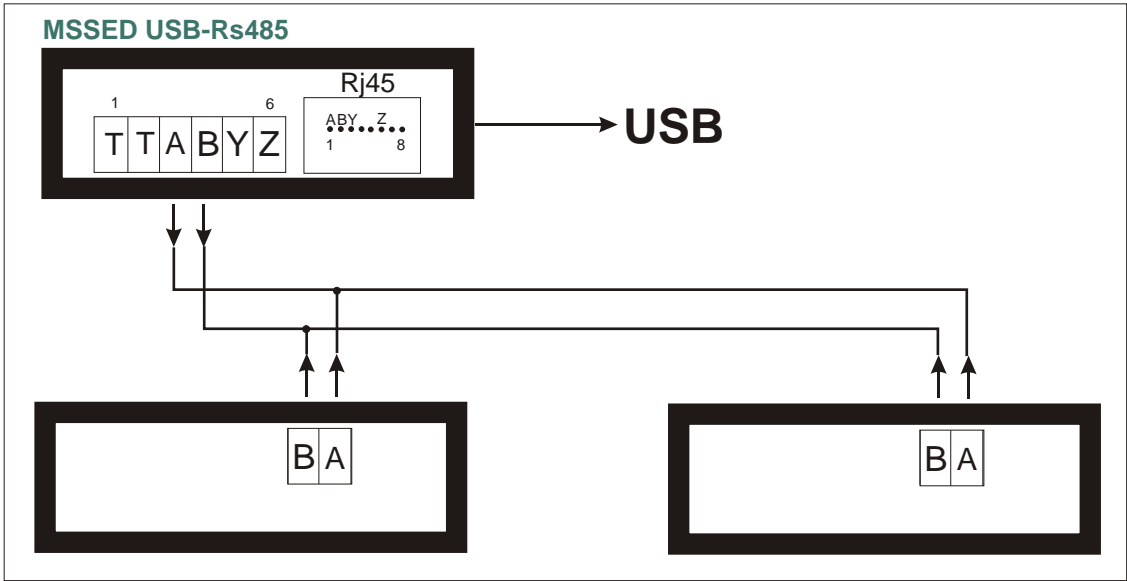


4. Click Finish

Connection USB-Rs485



T T =The Active bridge the resistor of terminating (120 ohm)



Typical Half-Duplex Rs-485 Network