

USB 2.0 TO RS485 FD CONVERTER

USER GUIDE

MSSD USB-Rs485 optoisolated

NEW

CE

USB 2.0 TO RS485 CONVERTER

Product Features

- USB Specification Rev. 2.0 compliant
- Support Full duplex connection
- Possibility Rj45 connection
- Allowing Up to 32 Transceivers on the Bus (Full-duplex)
- Transmission Speeds Up to 250 Kbps (Full-duplex)
- Conditions of operation 0- 70 °C UR 25-85 %
- Power +5V (USB line)

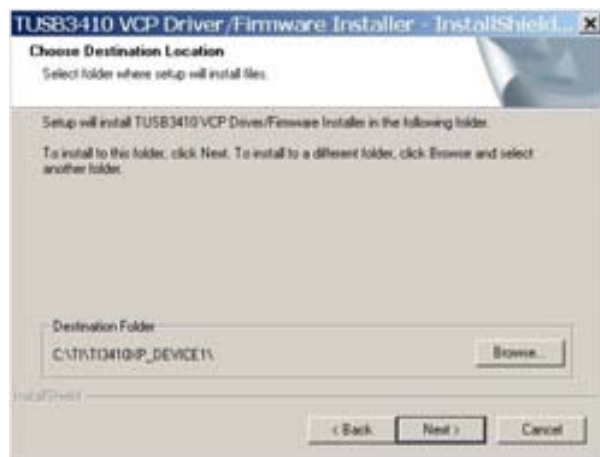
System Requirements

- IBM PC 486DX4-100 Mhz CPU or higher or compatible system
- Available USB port
- CD-ROM drive
- Windows 2000,XP,Vista

Driver Installation XP

1. During installation, please don't link USB-rs485 with your computer
2. Double click 'setup.exe' then it will start install





3. Click Next



4. Click Continue Anyway



5. Click Finish

6. Restart your computer

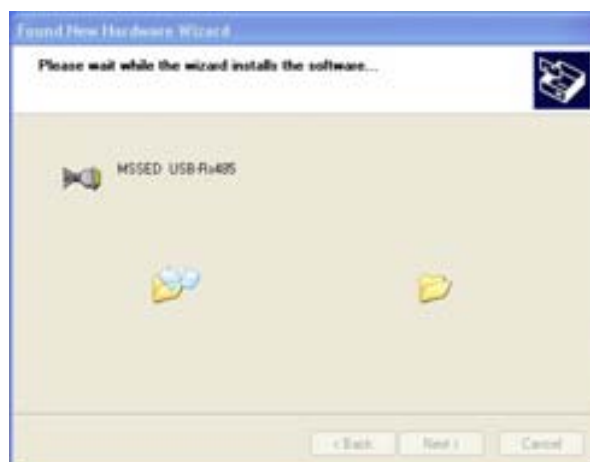
7. Devices USB-rs485 connection



1. Click Next



2. Click Next



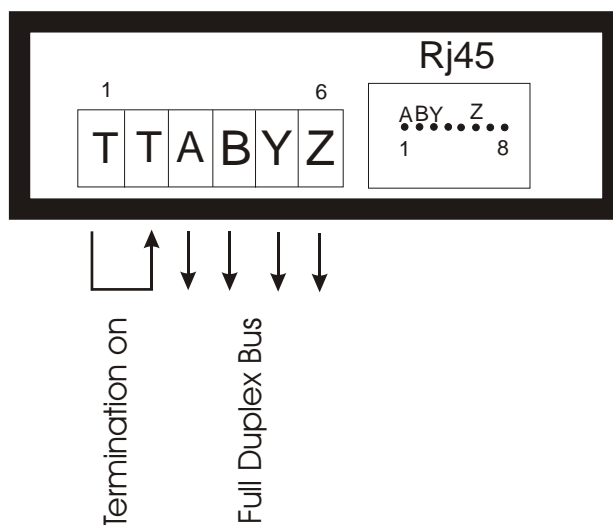


3. Click Continue Anyway

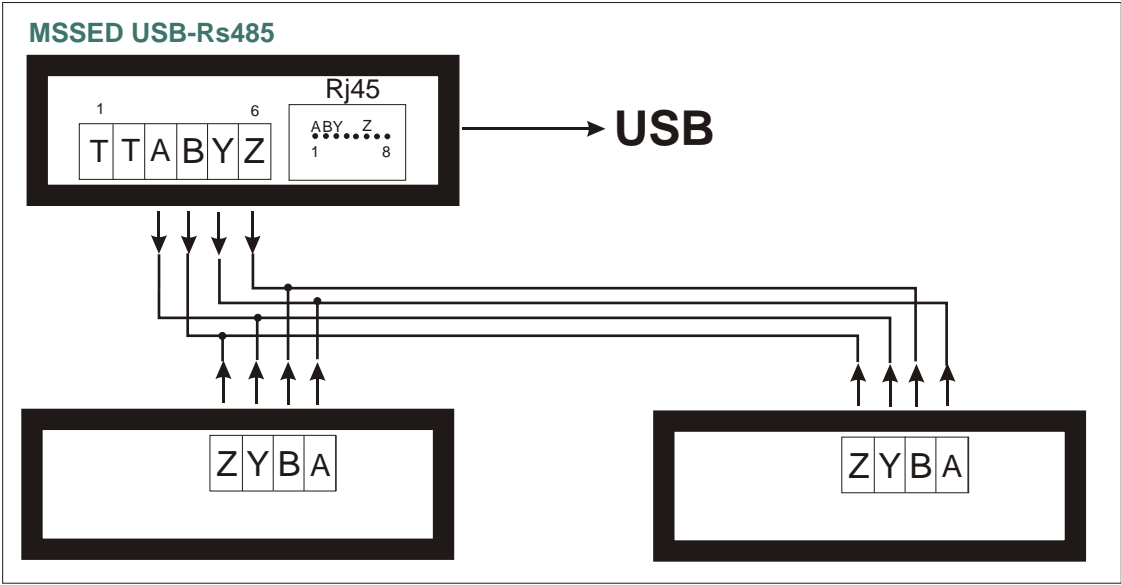


4. Click Finish

Connection USB-Rs485



T T =The Active bridge the resistor of terminating (120 ohm)



Typical Full-Duplex Rs-485 Network